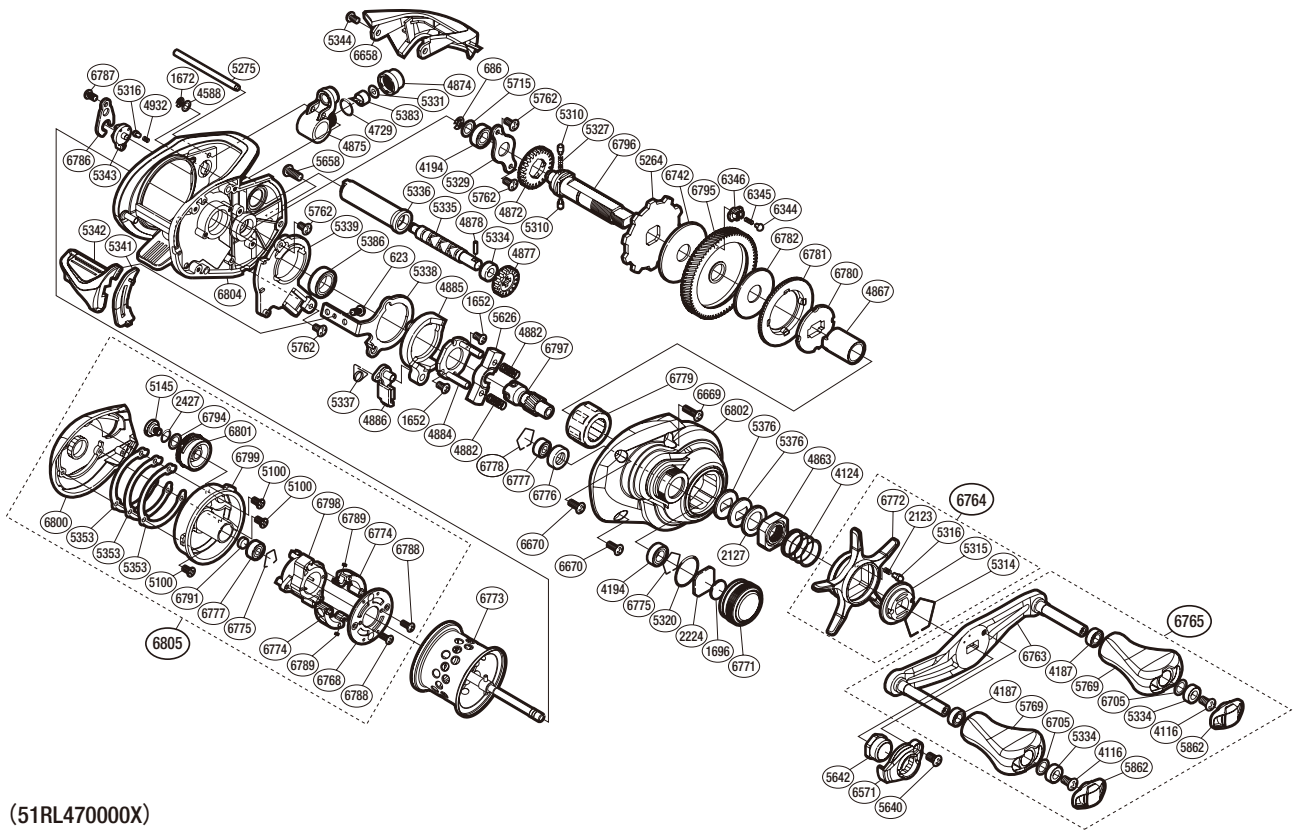


SHIMANO

CURADO SA-RB

CUBFSXGR



(51RL47000X)

Please note that the number of adjusting washers may not be the same as shown in the exploded views. (Adjustment will vary with each individual product.)

Part No.	Description	Part No.	Description	Part No.	Description
BNT0623	Screw	BNT5320	O Ring	BNT6763	Handle Shank Assembly
BNT0686	E Lock	BNT5327	Idle Gear Spring	BNT6764	Star Drag Assembly
BNT1652	Screw	BNT5329	Drive Shaft Retainer	BNT6765	Handle Assembly
BNT1672	E Lock	BNT5331	Spacer	BNT6768	Brake Set Plate
BNT1696	Cast Control Spacer (B)	BNT5334	Bushing	BNT6771	Cast Control Cap
BNT2123	Click Spring	BNT5335	Worm Shaft	BNT6772	Star Drag
BNT2127	Star Drag Spacer	BNT5336	Level Wind Guard	BNT6773	Spool Assembly
BNT2224	Cast Control Spacer (A)	BNT5337	Clutch Pawl Spring	BNT6774	Magnet Holder Assembly
BNT2427	O Ring	BNT5338	Clutch Plate	BNT6775	Bearing Retainer A
BNT4116	Screw	BNT5339	Clutch Guard	BNT6776	Bearing Spacer
BNT4124	Star Drag Spring	BNT5341	Clutch Bar Guide B	BNT6777	Ball Bearing
BNT4187	Ball Bearing	BNT5342	Clutch Button	BNT6778	Bearing Retainer B
BNT4194	Ball Bearing	BNT5343	B Side Plate Cam Lever	BNT6779	Roller Clutch Bearing
BNT4588	Washer	BNT5344	Screw	BNT6780	Key Washer
BNT4729	O Ring	BNT5353	Washer	BNT6781	Drag Click Ratchet
BNT4863	Star Drag Nut	BNT5376	Washer	BNT6782	Drag Washer A
BNT4867	Roller Clutch Inner Tube	BNT5383	Line Guide Pawl	BNT6786	Cam Lever Retainer
BNT4872	Idle Gear A	BNT5386	Ball Bearing	BNT6787	Screw
BNT4874	Pawl Cap	BNT5626	Yoke	BNT6788	Screw
BNT4875	Line Guide Assembly	BNT5640	Screw	BNT6789	Brake Spring
BNT4877	Idle Gear C	BNT5642	Handle Nut	BNT6791	Spacer
BNT4878	Worm Shaft Pin	BNT5658	Screw	BNT6794	Washer
BNT4882	Yoke Spring	BNT5715	Washer	BNT6795	Drive Gear
BNT4884	Clutch Cam Retainer	BNT5762	Screw	BNT6796	Drive Shaft
BNT4885	Clutch Cam	BNT5769	Handle Knob	BNT6797	Pinion Gear
BNT4886	Clutch Pawl Assembly	BNT5862	Handle Knob Seal	BNT6798	Brake Holder
BNT4932	Click Spring	BNT6344	Drag Click	BNT6799	Dial Case
BNT5100	Screw	BNT6345	Click Spring	BNT6800	Left Side Plate
BNT5145	Screw	BNT6346	Drag Click Pin Holder	BNT6801	Brake Dial
BNT5264	Anti-Reverse Ratchet	BNT6571	Handle Nut Plate	BNT6802	Right Side Plate Assembly
BNT5275	Stabilizer Bar	BNT6658	Level Wind Protector	BNT6804	Frame Assembly
BNT5310	Idle Gear Pin	BNT6669	Screw	BNT6805	Left Side Plate Assembly
BNT5314	Click Plate Retainer	BNT6670	Screw		
BNT5315	Star Drag Click Plate	BNT6705	Washer	BNT4692	B-100 Oil (Accessory)
BNT5316	Click Pin	BNT6742	Drag Washer B	BNT6806	Bfs-100 Oil (Accessory)